



ADM-2100BP Series

Datasheet Collection

www.aristaipc.com



Contents

Industrial Displays

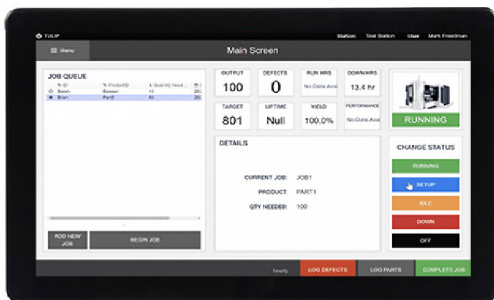
Wall Mount VESA Monitors

ADM-2116BP	03
ADM-2118BP	05
ADM-2121BP	07
ADM-2124BP	09
ADM-2132BP	11
ADM-2155BP	13



ADM-2116BP

15.6-inch VESA Mount Projected Capacitive Touch Display



Features

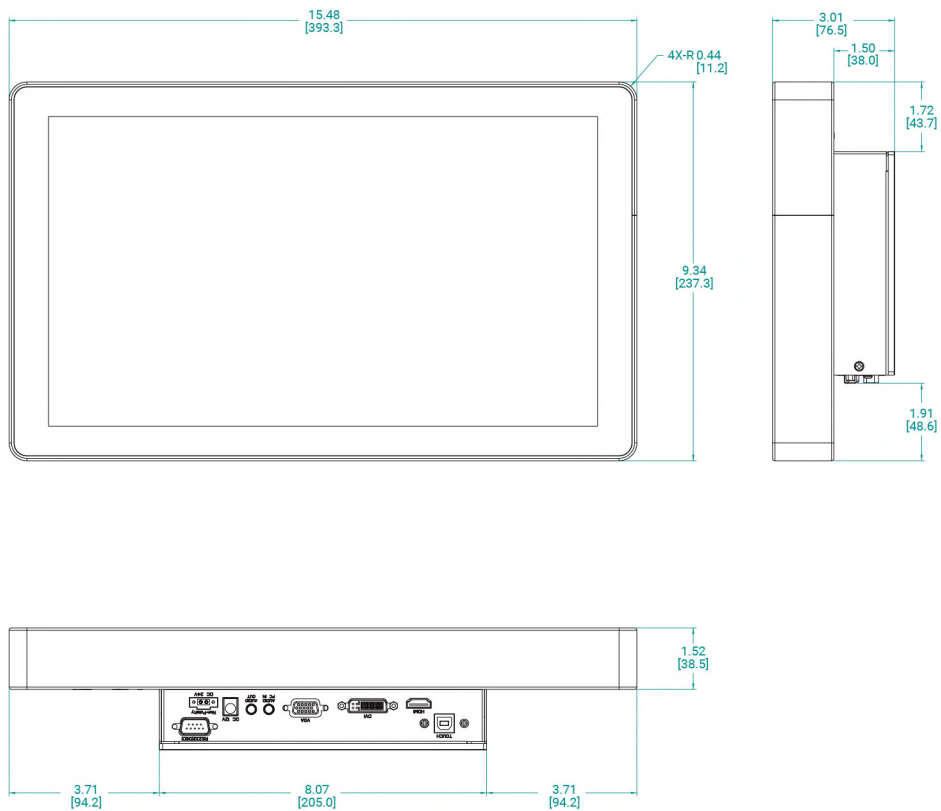
- 15.6" LCD, 1920 x 1080 Resolution
- Flush Bezel Design
- Projected Capacitive Touch
- USB Touch Interface
- VGA / DVI / HDMI / DP Input
- Available HDMI 100 meters extender option
- Enclosure meets NEMA IP50 requirements
- VESA Mount, Optional Wall Mount Bracket
- 24V DC Input or Powered by Transmitter

Specifications

Model Name	ADM-2116BP
LCD Display	
Display Size (Diagonal)	15.6"
Max Resolution	1920 x 1080
Backlight Lifetime (Hours)	50,000 hours
Visual Characteristics	
Colors	16.7 million
Aspect Ratio	16:9
Viewing Angle (V/H)	140° / 160°
Contrast Ratio	700:1
Brightness	400 nits
Input Interface	
VGA	Yes
DVI	Yes
HDMI	Yes
Display Port	Yes
CVBS	N/A
YPbPr	N/A
Touchscreen	
Technology	Projected Capacitive
Interface	USB
Driver	Win 7, Win10
Enclosure	
Type	Metallic Housing
Color	Black
Power/Thermal Specs	
Power Requirement (Max)	24VDC / 0.44A or Powered by Transmitter
Power Consumption (Max)	11 W
Recommended Power Supply	15 W
Heat Dissipation	36 BTU/hr
Physical Information	
Mounting	VESA Mount
Net Weight	11Lbs / 5.0 Kg
Dimension (W x H x D)	15.48 x 9.43 x 3.01 inch 393.3 x 237.3 x 76.6 mm
Recommended Cutout Dimension (WxH)	N/A
Environmental	
Operating Temperature	0°C to 50°C (32°F to 122°F)
Storage Temperature	-20°C to 60°C (-4°F to 140°F)
Humidity	5% to 95% non-condensing
Rating	Meets IP50
Certification	N/A

Dimension Drawing

Model Name: ADM-2116BP
 Size Unit: inch(mm)



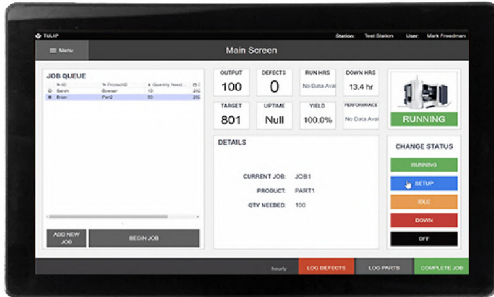
Ordering Information

Item	ADM-2116BP-001
LCD Display	15.6" LCD / 1920 x 1080
Touch Screen	Projected Capacitive
Enclosure	Black
Power Supply	110/220VAC Input
Extender Video Input	N/A



ADM-2118BP

18.5-inch VESA Mount Projected Capacitive Touch Display



Features

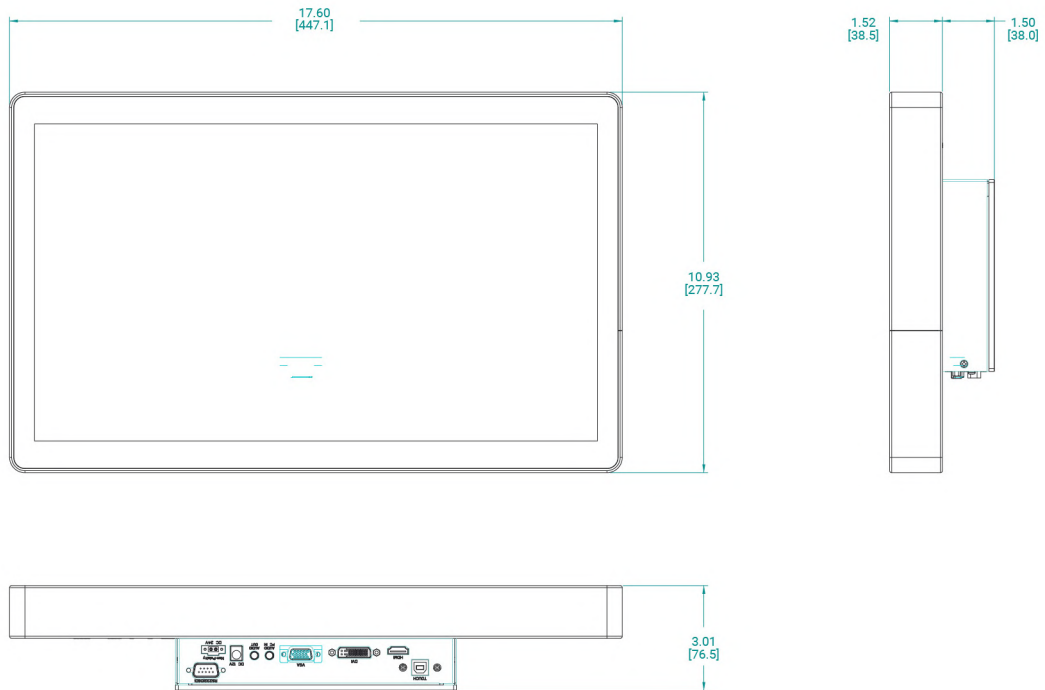
- 18.5" LCD, 1920 x 1080 Resolution
- Flush Bezel Design
- Projected Capacitive Touch
- USB Touch Interface
- VGA / DVI / HDMI / DP Input
- Available HDMI 100 meters extender option
- Enclosure meets NEMA IP50 requirements
- VESA Mount, Optional Wall Mount Bracket
- 24V DC Input or Powered by Transmitter

Specifications

Model Name	ADM-2118BP
LCD Display	
Display Size (Diagonal)	18.5"
Max Resolution	1920 x 1080
Backlight Lifetime (Hours)	50,000 hours
Visual Characteristics	
Colors	16.7 million
Aspect Ratio	16:9
Viewing Angle (V/H)	179° / 179°
Contrast Ratio	1000:1
Brightness	350 nits
Input Interface	
VGA	Yes
DVI	Yes
HDMI	Yes
Display Port	Yes
CVBS	N/A
YPbPr	N/A
Touchscreen	
Technology	Projected Capacitive
Interface	USB
Driver	Win 7, Win10
Enclosure	
Type	Metallic Housing
Color	Black
Power/Thermal Specs	
Power Requirement (Max)	24VDC / 0.7A or Powered by Transmitter
Power Consumption (Max)	17W
Recommended Power Supply	24W
Heat Dissipation	58 BTU/hr
Physical Information	
Mounting	VESA Mount
Net Weight	14 Lbs / 6.4 Kg
Dimension (W x H x D)	17.60 x 10.93 x 3.01 inch 447.1 x 277.7 x 76.5 mm
Recommended Cutout Dimension (WxH)	N/A
Environmental	
Operating Temperature	0°C to 50°C (32°F to 122°F)
Storage Temperature	-20°C to 60°C (-4°F to 140°F)
Humidity	5% to 95% non-condensing
Rating	Meets IP50
Certification	N/A

Dimension Drawing

Model Name: ADM-2118BP
 Size Unit: inch(mm)



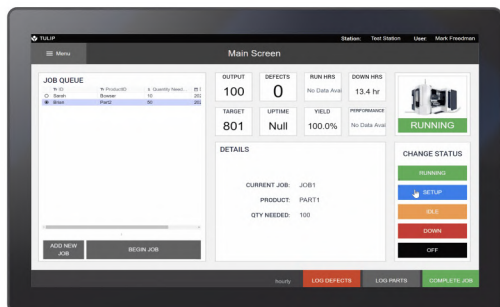
Ordering Information

Item	ADM-2118BP-001
LCD Display	18.5" LCD / 1920 x 1080
Touch Screen	Projected Capacitive
Enclosure	Black
Power Supply	110/220VAC Input
Extender Video Input	N/A



ADM-2121BP

21.5-inch VESA Mount Projected Capacitive Touch Display



Features

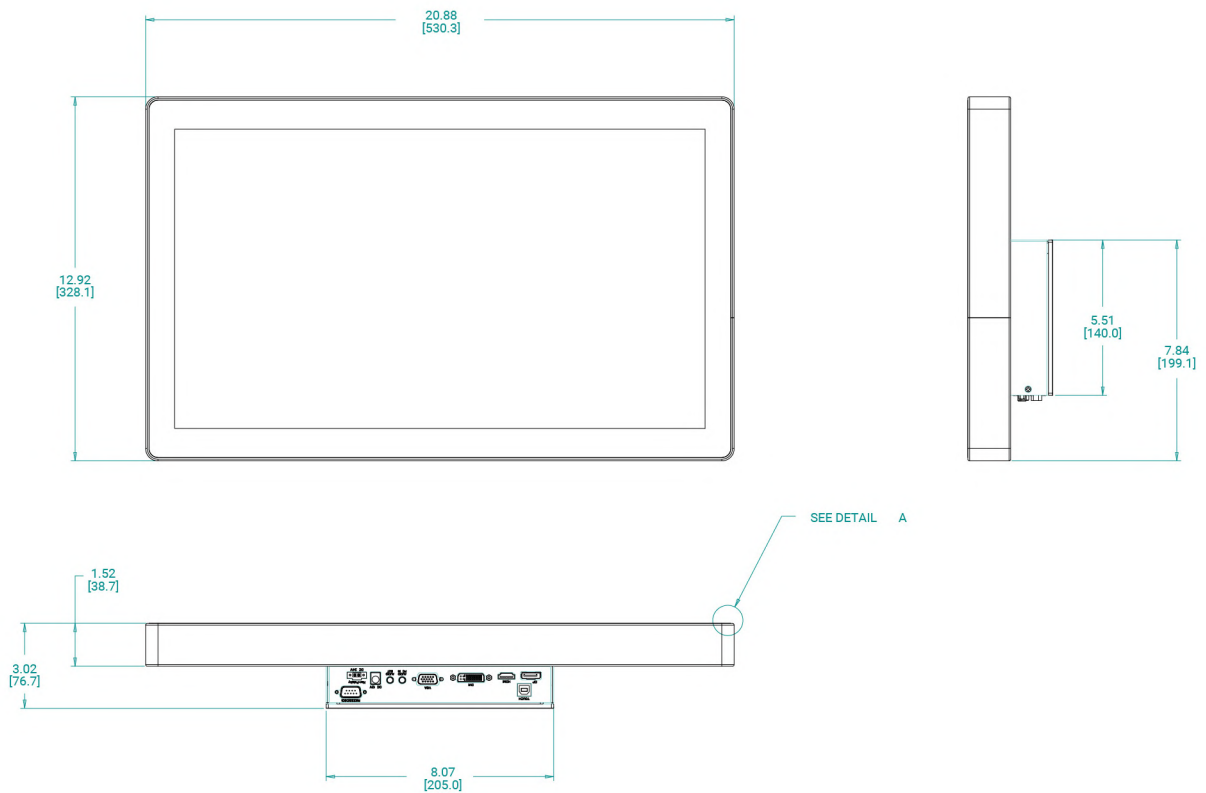
- 21.5" LCD, 1920 x 1080 Resolution
- Flush Bezel Design
- Projected Capacitive Touch
- USB Touch Interface
- VGA / DVI / HDMI / DP Input
- Available HDMI 100 meters extender option
- Enclosure meets NEMA IP50 requirements
- VESA Mount, Optional Wall Mount Bracket
- 24V DC Input or Powered by Transmitter

Specifications

Model Name	ADM-2121BP
LCD Display	
Display Size (Diagonal)	21.5"
Max Resolution	1920 x 1080
Backlight Lifetime (Hours)	50,000 hours
Visual Characteristics	
Colors	16.7 million
Aspect Ratio	16:9
Viewing Angle (V/H)	178° / 178°
Contrast Ratio	1000:1
Brightness	250 nits
Input Interface	
VGA	Yes
DVI	Yes
HDMI	Yes
Display Port	Yes
CVBS	N/A
YPbPr	N/A
Touchscreen	
Technology	Projected Capacitive
Interface	USB
Driver	Win 7, Win10
Enclosure	
Type	Metallic Housing
Color	Black
Power/Thermal Specs	
Power Requirement (Max)	24VDC / 0.93A or Powered by Transmitter
Power Consumption (Max)	23 W
Recommended Power Supply	32 W
Heat Dissipation	77 BTU/hr
Physical Information	
Mounting	VESA Mount
Net Weight	17.90 Lbs / 8.12 Kg
Dimension (W x H x D)	20.88 x 12.92 x 3.02 inch
Recommended Cutout Dimension (WxH)	530.3 x 328.1 x 76.7 mm
Environmental	
Operating Temperature	0°C to 50°C (32°F to 122°F)
Storage Temperature	-20°C to 60°C (-4°F to 140°F)
Humidity	5% to 95% non-condensing
Rating	Meets IP50
Certification	N/A

Dimension Drawing

Model Name: ADM-2121BP
 Size Unit: inch(mm)



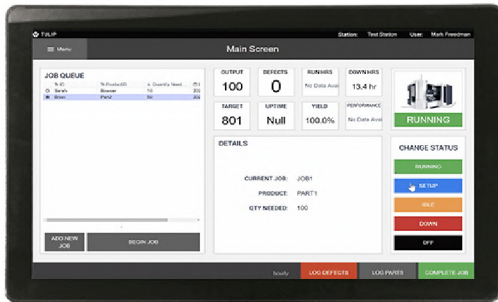
Ordering Information

Item	ADM-2121BP-001
LCD Display	21.5" LCD / 1920 x 1080
Touch Screen	Projected Capacitive
Enclosure	Black
Power Supply	110/220VAC Power Adaptor Included
Extender Video Input	N/A



ADM-2124BP

24-inch VESA Mount Projected Capacitive Touch Display



Features

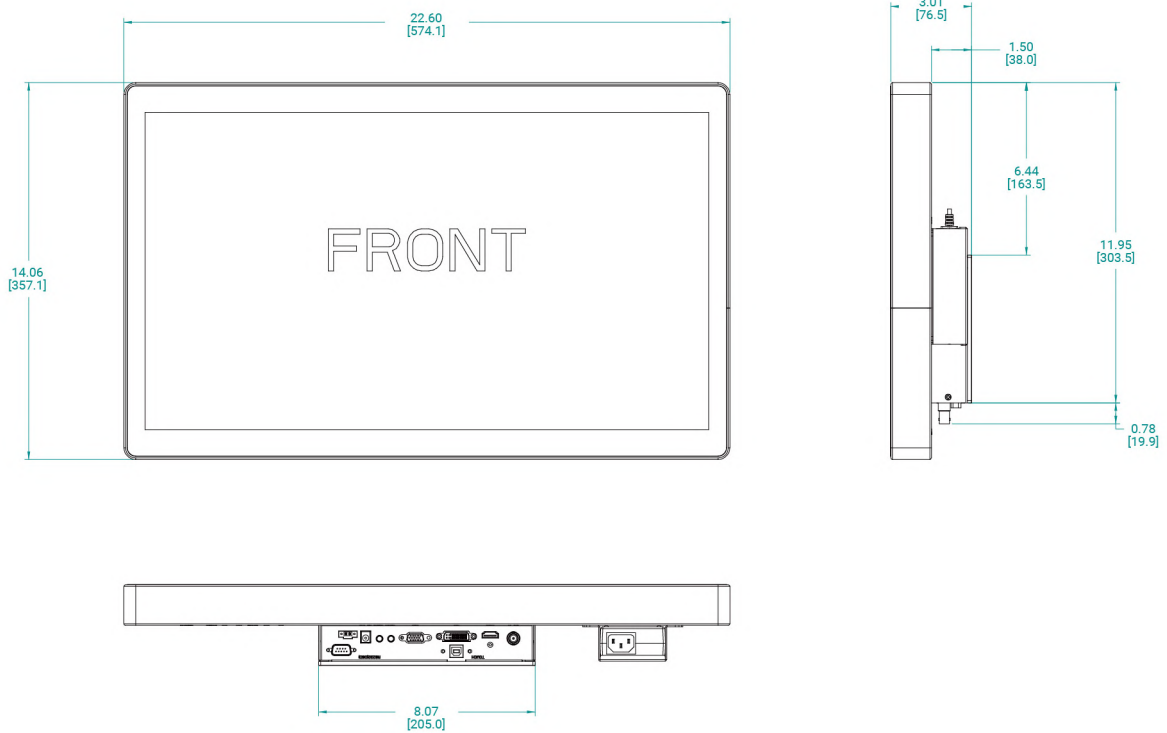
- 24" LCD, 1920 x 1080 Resolution
- Flush Bezel Design
- Projected Capacitive Touch
- USB Touch Interface
- VGA / DVI / HDMI / DP Input
- Enclosure meets NEMA IP50 requirements
- VESA Mount, Optional Wall Mount Bracket
- 24V DC Input

Specifications

Model Name	ADM-2124BP
LCD Display	
Display Size (Diagonal)	24 inch
Resolution	1920 x 1080
Backlight Lifetime (Hours)	50,000
Visual Characteristics	
Colors	16.7 million
Aspect Ratio	16:9
Viewing Angle (V/H)	178° / 178°
Contrast Ratio	5000 : 1
Brightness	250 nits
Input Interface	
VGA	Yes
DVI	Yes
HDMI	Yes
Display Port	Yes
CVBS	N/A
YPbPr	N/A
Touchscreen	
Technology	Projected Capacitive
Interface	USB
Driver	Win 7, Win10
Enclosure	
Type	Metallic Housing
Color	Black
Power/Thermal Specs	
Power Requirement (Max)	24VDC / 0.88A
Power Consumption (Max)	21 W
Recommended Power Supply	30 W
Heat Dissipation	72 BTU/hr
Physical Information	
Mounting	VESA Mount
Net Weight	--
Dimension (W x H x D)	22.60 x 14.06 x 3.01 inch 574.1 x 357.1 x 76.5 mm
Recommended Cutout Dimension (WxH)	N/A
Environmental	
Operating Temperature	0°C to 50°C (32°F to 122°F)
Storage Temperature	-20°C to 60°C (-4°F to 140°F)
Humidity	5% to 95% non-condensing
Rating	Meets IP50
Certification	N/A

Dimension Drawing

Model Name: ADM-2124BP
 Size Unit: inch(mm)



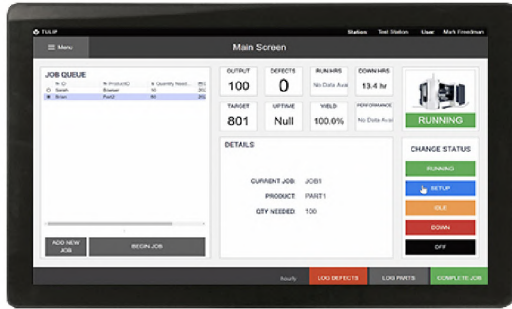
Ordering Information

Item	ADM-2124BP-001
LCD Display	24" LCD / 1920 x 1080
Touch Screen	Projected Capacitive
Enclosure	Black
Power Supply	110/220VAC Input



ADM-2132BP

32-inch VESA Mount Projected Capacitive Touch Display



Features

- 32" LCD, 1920 x 1080 Resolution
- Flush Bezel Design
- Projected Capacitive Touch
- USB Touch Interface
- VGA / DVI / HDMI Input
- Available HDMI 100 meters extender option
- Enclosure meets NEMA IP50 requirements
- VESA Mount, Optional Wall Mount Bracket
- 110~220VAC Input

Specifications

Model Name	ADM-2132BP
LCD Display	
Display Size (Diagonal)	32 inch
Resolution	1920 x 1080
Backlight Lifetime (Hours)	50,000
Visual Characteristics	
Colors	16.7 million
Aspect Ratio	16:09
Viewing Angle (V/H)	178° / 178°
Contrast Ratio	3000:01:00
Brightness	450 nits
Input Interface	
VGA	Yes *Not available with Extender
DVI	Yes *Not available with Extender
HDMI	Yes
Display Port	N/A
CVBS	N/A
YPbPr	N/A
Touchscreen	
Technology	Projected Capacitive
Interface	USB
Driver	Win 7, Win10
Enclosure	
Type	Metallic Housing
Color	Black
Power/Thermal Specs	
Power Requirement (Max)	110VAC / 0.80A, 220VAC / 0.40A
Power Consumption (Max)	66W
Recommended Power Supply	N/A
Heat Dissipation	225 BTU/hr
Physical Information	
Mounting	VESA Mount
Net Weight	--
Dimension (W x H x D)	30.13 x 18.106 x 1.339 inch 765.3 x 459.9 x 34 mm
Recommended Cutout Dimension (WxH)	N/A
Environmental	
Operating Temperature	0°C to 50°C (32°F to 122°F)
Storage Temperature	-20°C to 60°C (-4°F to 140°F)
Humidity	5% to 95% non-condensing
Rating	Meets IP50
Certification	N/A

Ordering Information

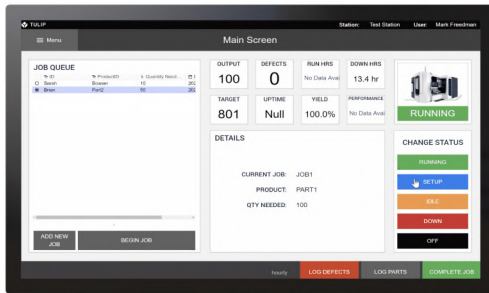
Item	ADM-2132BP-001	ADM-2132BP-Z01
LCD Display	32" LCD / 1920 x 1080	32" LCD / 1920 x 1080
Touch Screen	Projected Capacitive	N/A
Enclosure	Black	Black
Power Supply	110/220VAC Input	110/220VAC Input
Extender Video Input	N/A	N/A

Item	ADM-2132BP-00A	ADM-2132BP-Z0A
LCD Display	32" LCD / 1920 x 1080	32" LCD / 1920 x 1080
Touch Screen	Projected Capacitive	N/A
Enclosure	Black	Black
Power Supply	110/220VAC Input	110/220VAC Input
Extender Video Input	HDMI via ARD-1007-A00-TX	HDMI via ARD-1007-A00-TX



ADM-2155BP

55-inch VESA Mount Projected Capacitive Touch Display



Features

- 55" LCD, 1920 x 1080 Resolution
- Flush Bezel Design
- Projected Capacitive Touch
- USB Touch Interface
- VGA / DVI / HDMI Input
- Available HDMI 100 meters extender option
- Enclosure meets NEMA IP50 requirements
- VESA Mount, Optional Wall Mount Bracket
- 110~220VAC Input

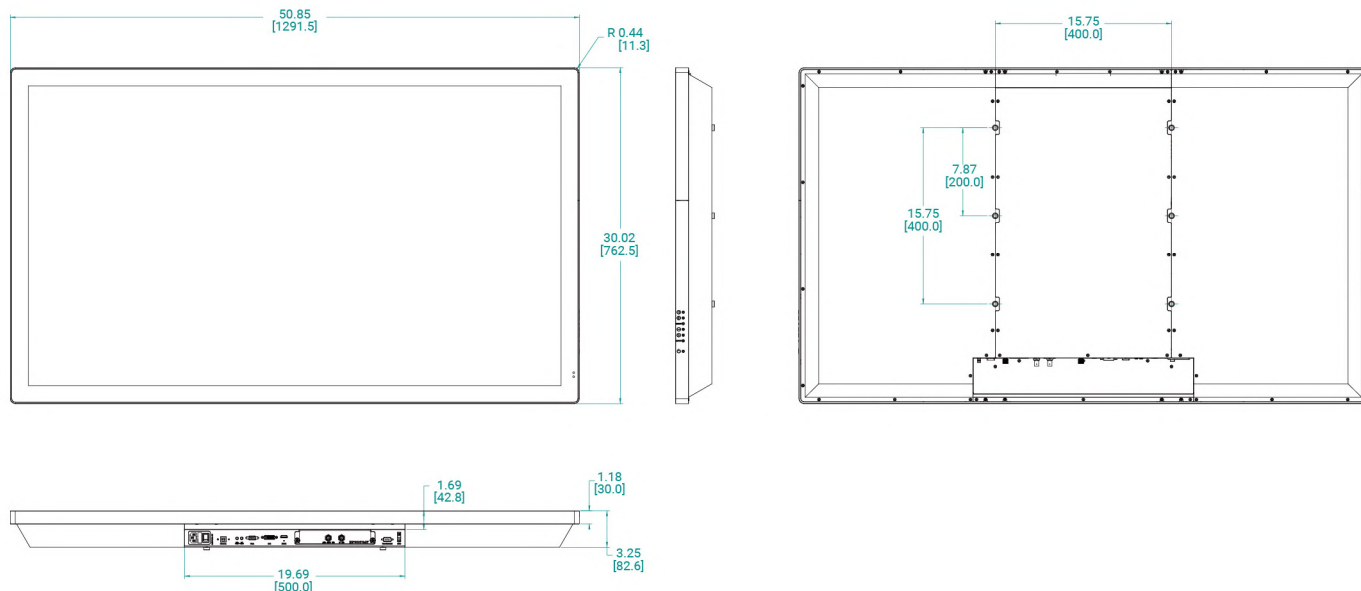
Specifications

Model Name	ADM-2155BP
LCD Display	
Display Size (Diagonal)	55"
Max Resolution	1920 x 1080
Backlight Lifetime (Hours)	50,000 hours
Visual Characteristics	
Colors	1073.7 million
Aspect Ratio	16:9
Viewing Angle (V/H)	178° / 178°
Contrast Ratio	4000:1
Brightness	500 nits
Input Interface	
VGA	Yes *Not available with Extender
DVI	Yes *Not available with Extender
HDMI	Yes
Display Port	N/A
CVBS	N/A
YPbPr	N/A
Touchscreen	
Technology	Projected Capacitive
Interface	USB
Driver	Win 7, Win10
Enclosure	
Type	Metallic Housing
Color	Black
Power/Thermal Specs	
Power Requirement (Max)	110VAC / 2.41A, 220VAC / 1.20A
Power Consumption (Max)	265 W
Recommended Power Supply	N/A
Heat Dissipation	903 BTU/hr
Physical Information	
Mounting	VESA Mount
Net Weight	97 Lbs / 44.0 Kg
Dimension (W x H x D)	50.85 x 30.02 x 3.25 inch 1291.5 x 762.5 x 82.6 mm
Recommended Cutout Dimension (WxH)	N/A
Environmental	
Operating Temperature	0°C to 50°C (32°F to 122°F)
Storage Temperature	-20°C to 60°C (-4°F to 140°F)
Humidity	5% to 95% non-condensing
Rating	Meets IP50
Certification	N/A

Dimension Drawing

Model Name: ADM-2155BP

Size Unit: inch(mm)



Ordering Information

Item	ADM-2155BP-001	ADM-2155BP-Z01
LCD Display	55" LCD / 1920 x 1080	55" LCD / 1920 x 1080
Touch Screen	Projected Capacitive	N/A
Enclosure	Black	Black
Power Supply	110/220VAC Input	110/220VAC Input
Extender Video Input	N/A	N/A

Item	ADM-2155BP-00A	ADM-2155BP-Z0A
LCD Display	55" LCD / 1920 x 1080	55" LCD / 1920 x 1080
Touch Screen	Projected Capacitive	N/A
Enclosure	Black	Black
Power Supply	110/220VAC Input	110/220VAC Input
Extender Video Input	HDMI via ARD-1007-A00-TX	HDMI via ARD-1007-A00-TX



ARISTA Corporation (USA)

 40675 Encyclopedia Circle, Fremont, CA 94538.

 Phone : +1-510-226-1800  eFax : 510-405-8437

 sales@goarista.com  www.aristaipc.com